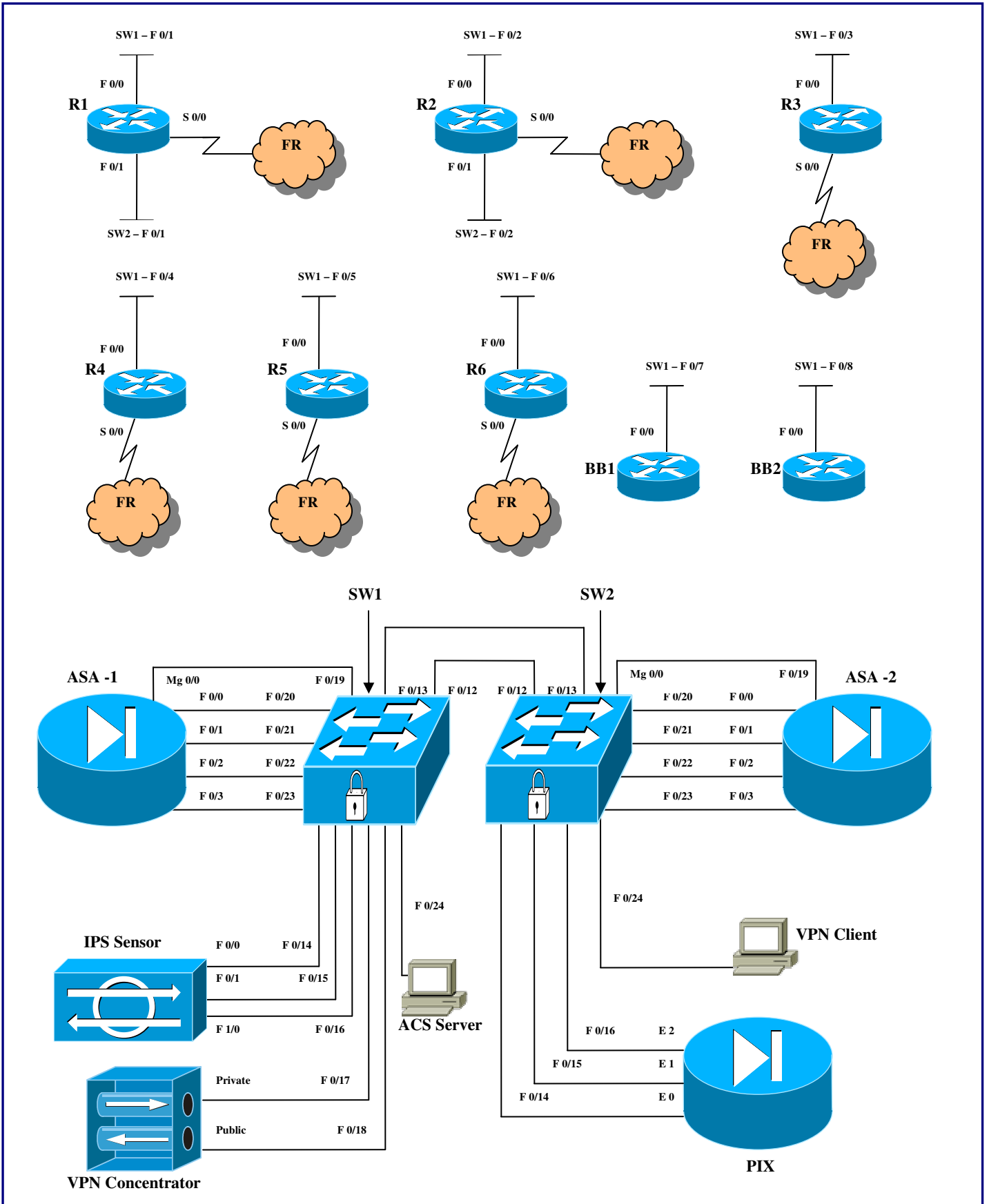


Physical Diagram



Frame Relay Switch Connections

Device Port	Frame Relay Switchport	DLCI's	Remote Device
R1 S 0/0	S 0/0	102	R2
		103	R3
		104	R4
		105	R5
		106	R6
R2 S 0/0	S 0/1	201	R1
		203	R3
		204	R4
		205	R5
		206	R6
R3 S 0/0	S 0/2	301	R1
		302	R2
		304	R4
		305	R5
		306	R6
R4 S 0/0	S 0/3	401	R1
		402	R2
		403	R3
		405	R5
		406	R6
R5 S 0/0	S 0/4	501	R1
		502	R2
		503	R3
		504	R4
		506	R6
R6 S 0/0	S 0/5	601	R1
		602	R2
		603	R3
		604	R4
		605	R5