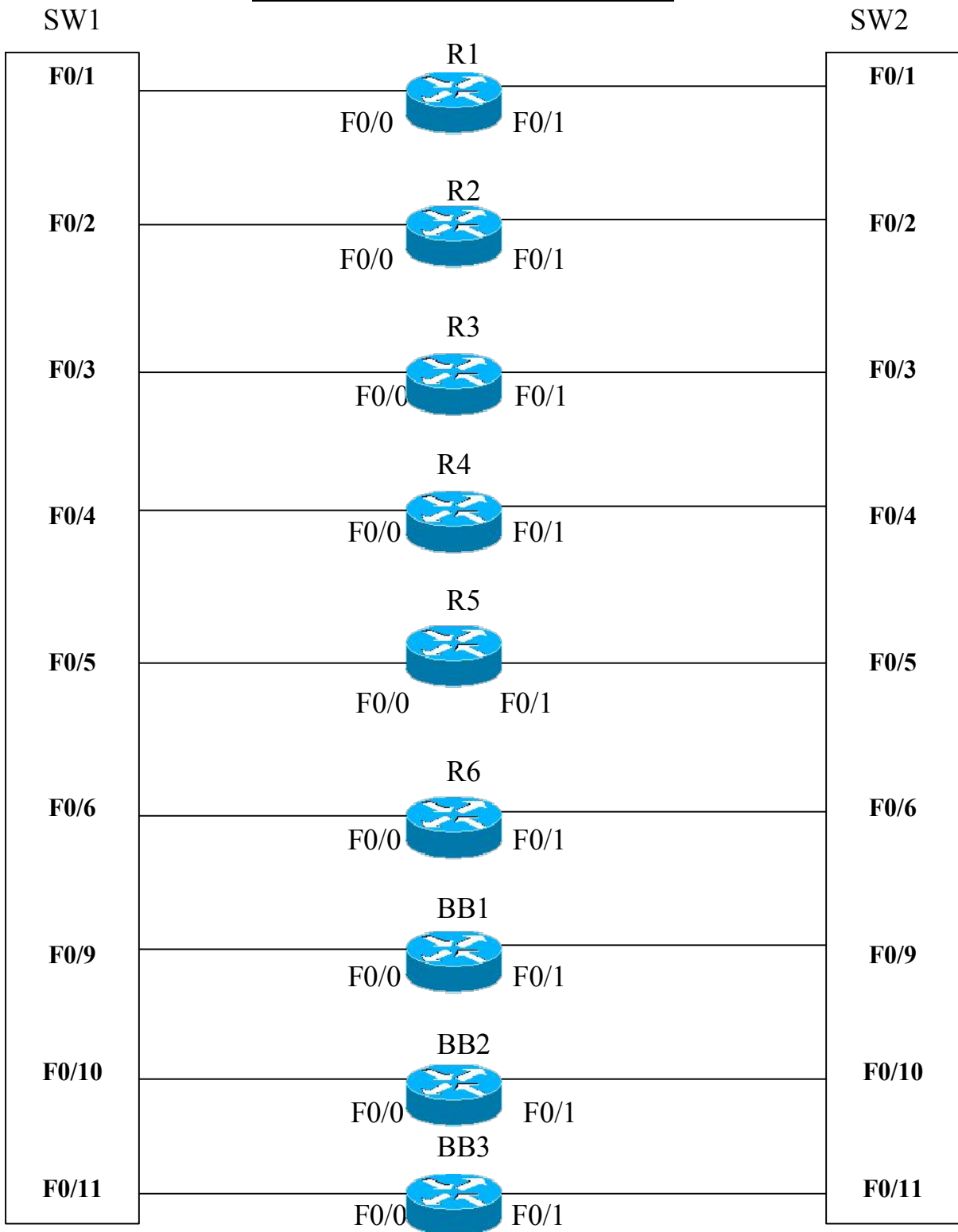
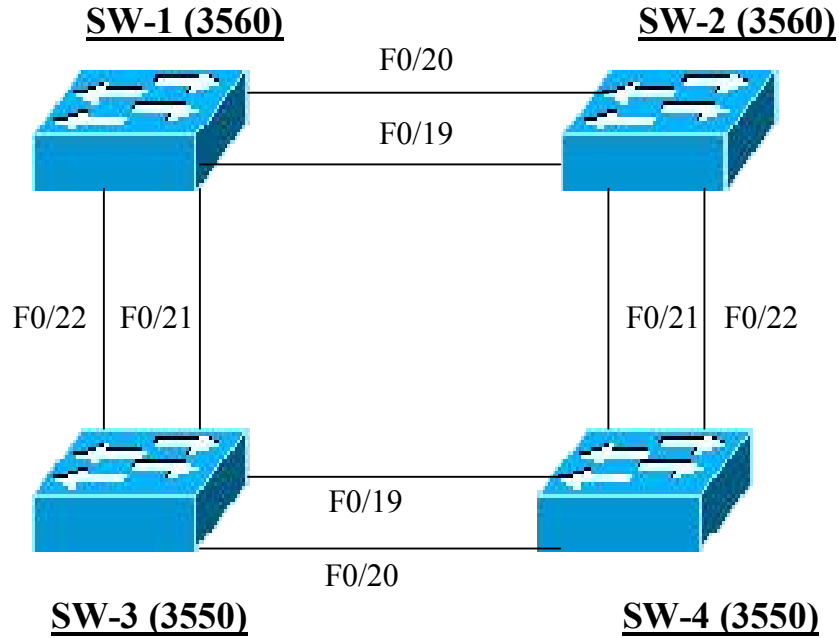


Router To Switch connection

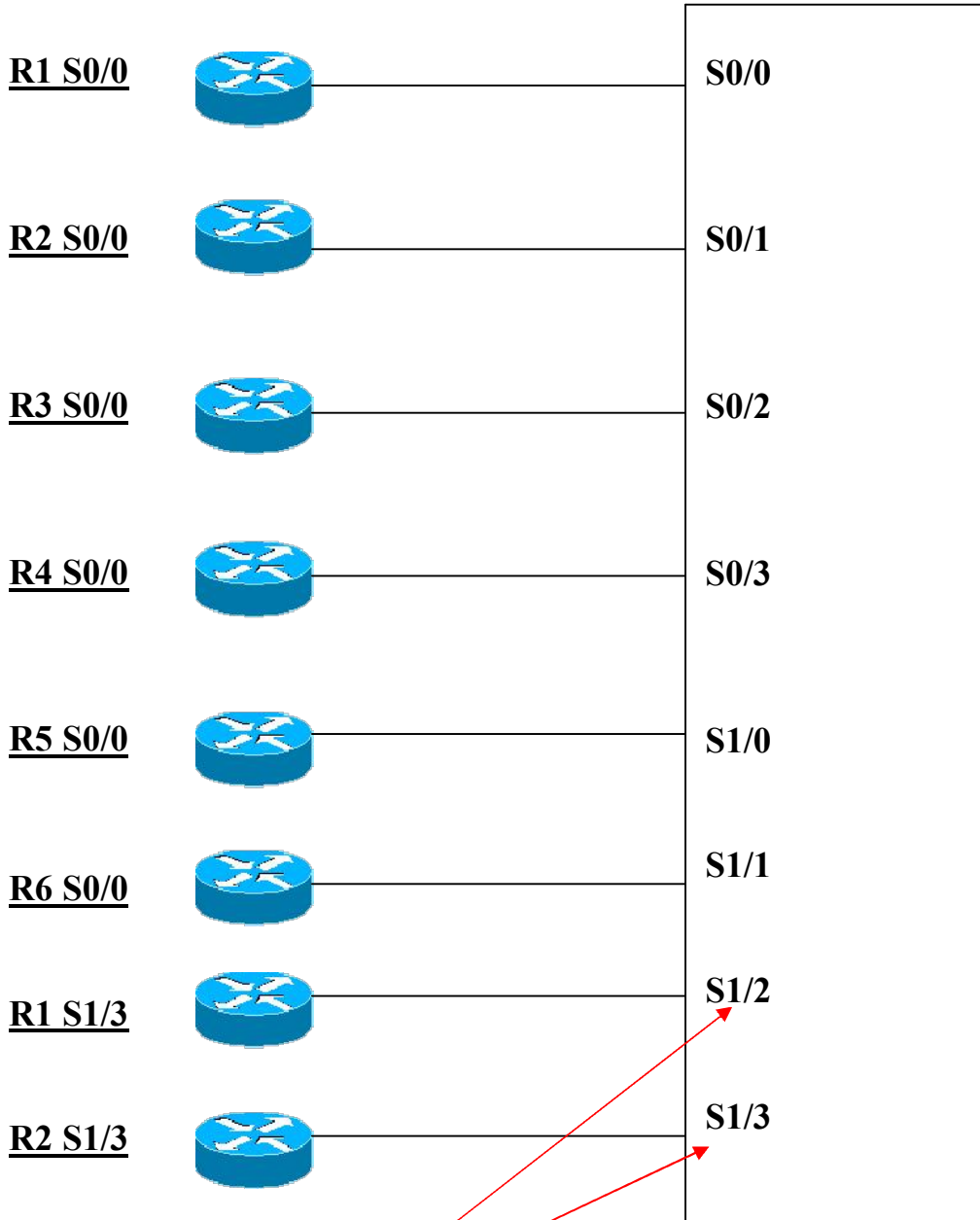


Switch to Switch connectivity



Frame-relay Switch connections

Frame-relay Switch (3620)



Ports S1/2 and S1/3 on the frame-relay Switch is not configured, we have provided the connectivity for your convenience; you can configure these two ports on the frame-relay switch as you wish.

Frame-relay DLCI connections:

Router	Local DLCI	Connecting to:
R1	102 103 104 105 106	R2 R3 R4 R5 R6
R2	201 203 204 205 206	R1 R3 R4 R5 R6
R3	301 302 304 305 306	R1 R2 R4 R5 R6
R4	401 402 403 405 406	R1 R2 R3 R5 R6
R5	501 502 503 504 506	R1 R2 R3 R4 R6
R6	601 602 603 604 605	R1 R2 R3 R4 R5